

DRAINVAULT

HYGIENIC ODOURLESS DRAIN SOLUTION

DrainVault is the premium floor waste system providing 24/7 protection from harmful odours, pest invasion plus other unique features, while maintaining a healthy hygienic environment & is suitable for all industrial, commercial and household applications.

DrainVault's unique design LOCKS out odours, allows for control of bacteria & prevents pest entry. The body material resists growth of harmful bacteria further assisting in the provision of a healthy environment.



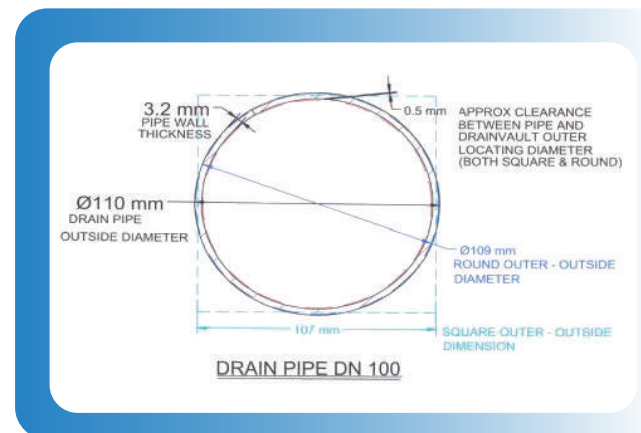
The grate is manufactured to the highest standards comprising a chrome plated quality cast material.

The sealing effect of this design is not affected by changes to external conditions that an "S" bend experiences.

This is due to the inclusion of a built in relief valve that maintains a balanced pressure of water to the seal.



Dimension / Size
Retro: 95mm
Round Plate: 107mm
Square Plate: 107mm
Bottom: 70mm
Sleeves in to fit std
90mm pipe



HY.GIENE Australia Pty Ltd.

Ph: +613 729 3946 or Free Call 1800 616 930

Email: sales@hygieneaustralia.com.au



The DrainVault meets Australian & New Zealand Standards for flow rates

Promotion valid from 1st Jan – 31st Mar 2018, Price excludes GST and Freight*